

- Offices
- Leisure Centres
- Schools
- Theatres
- Stadia
- Museums
- Railway Stations
- Factories
- Airports
- Corporate HQ
- Arenas
- Conference Centres
- Ferries
- Cruise Ships
- Hotels
- Magistrates Courts
- MOD
- Call Centres
- Multi Building Sites
- Retail
- County Courts
- Shopping Centres



The MUS range of robust column loudspeaker cabinets are manufactured in high grade extruded aluminium with die cast end caps and swivel brackets. The units have been designed with impregnated tuned cones, to give both excellent voice and music reproduction, both indoors and out.

Available in 20 and 40 Watt versions, these units come complete with external variable tapping selection.

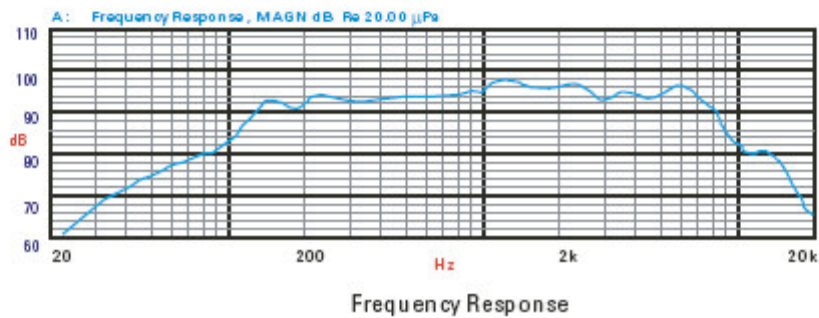
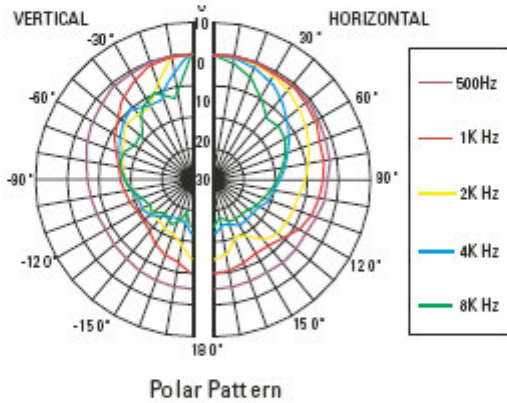
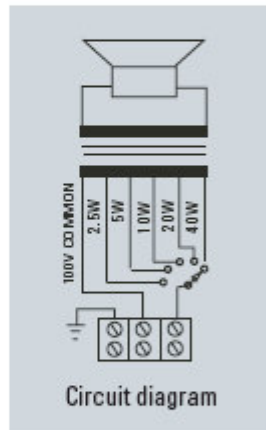
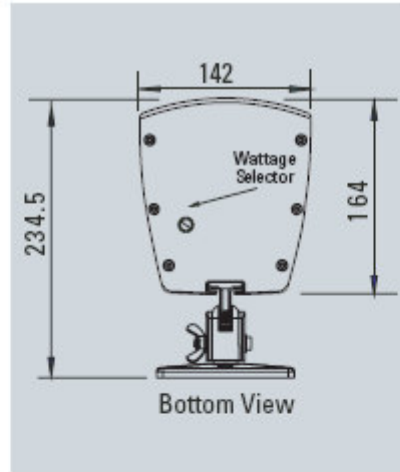
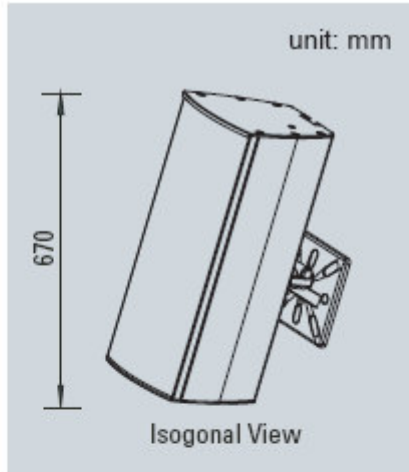
Ideal for use in airports, railway stations, churches, factories, sports and conference centres etc., all models are BS5839 Part 8 compliant for use in voice alarm applications.

Technical Specification:

Rated power, Watts:	40
Tappings 100 Volt line, Watts:	40/ 20/ 10/ 5
Transformer Impedance, Ohms, 100V:	250/ 500/ 1k/ 2k/ 4k
Tappings 70.7 Volt line Watts:	20/ 10/ 5/ 2.5
Driver Impedance, Ohms:	8
Effective frequency range, Hz (BS6840):	100 - 10,000
S.P.L. @ 1m, 1 Watt, dB, Test Signal Bandwidth 100Hz-10kHz:	95
S.P.L. @ Full Power Octave Bandwidth, dB:	112
Acoustic Power (dB-PWL@1 Watt) 1k/2kHz:	93/92
Dispersion at 1k/2kHz, Degrees:	180/140 (horizontal) 70/40 (vertical)
Directivity Axial Q factor, 1k/2kHz:	5.20/8.50
Dimensions, front & depth, mm:	670 x 142 x 164
Net weight, kgs:	8.20, bracket: 0.56
Colour/Finish:	White RAL9016
Material:	Aluminium
Mounting:	Die cast metal swivel bracket

MUS40/TC

High Performance Metal Column Loudspeakers



MUS40/TC

High Performance Metal Column Loudspeakers

Audix Systems reserves the right to modify or withdraw any product or service without notice

Tel: +44 (0)1799-540888

Fax: +44 (0)1799-541618

e-mail: info@audixsystems.co.uk

web site: www.audixsystems.co.uk

Audix Systems
Station Road
Wenden
Saffron Walden
Essex CB11 4LG

