

- Offices
- Leisure Centres
- Schools
- Theatres
- Stadia
- Museums
- Railway Stations
- Factories
- Airports
- Corporate HQ
- Arenas
- Conference Centres
- Ferries
- Cruise Ships
- Hotels
- Magistrates Courts
- MOD
- Call Centres
- Multi Building Sites
- Retail
- County Courts
- Shopping Centres



The PMC4/T is a 4 Watt loudspeaker complete with 100 Volt line transformer, ideally suited for high quality speech.

This white un-obtrusive marine, water resistant moulded cabinet loudspeaker, with its treated cones, offers an ideal solution for areas where speech is required in damp, wet and high humidity environments.

Designed to make installation watertight, through cable gland entries situated on all sides and at the rear of the cabinet, this speaker is ideally suited for applications such as saunas, bathrooms, changing rooms, canteens and boat decks. With a polymer coating having been added to the plastic cabinet to avoid discoloration in bright sun light (UV proofed) and to protect against the attack of salt laden environments, it is also ideal for use offshore.

In compliance with BS5839 part 8, the 'C' version (PMC4/TC) incorporates a ceramic terminal and thermal fuse and is, therefore, suitable for use in Voice Alarm applications.

Alternative finishes are available on request.

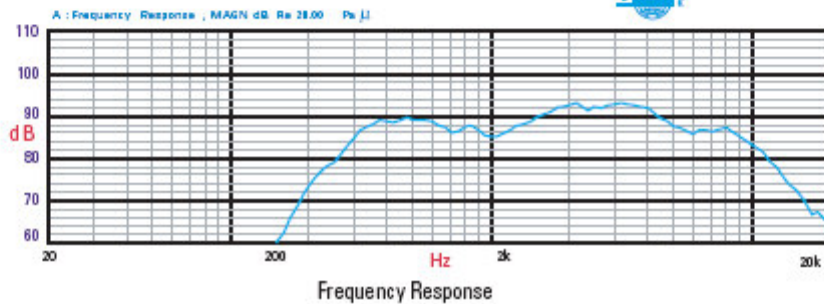
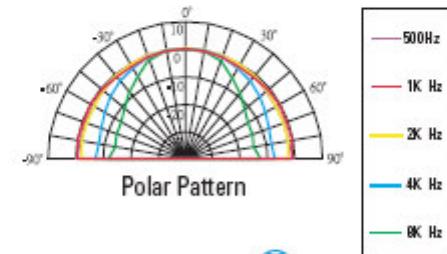
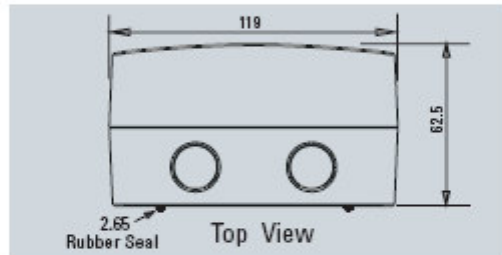
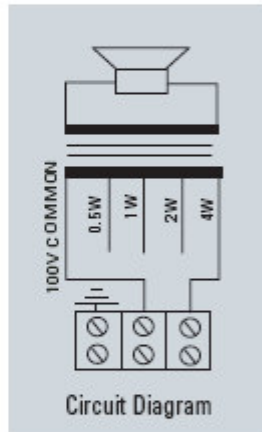
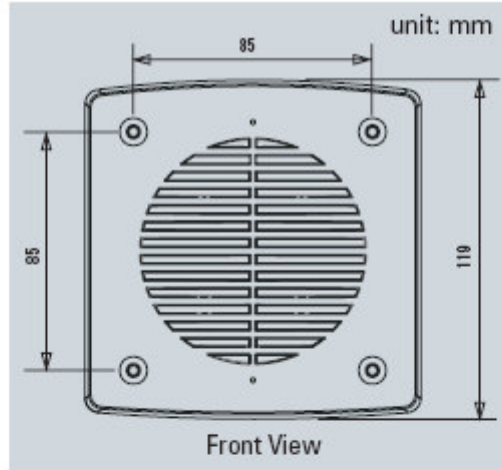
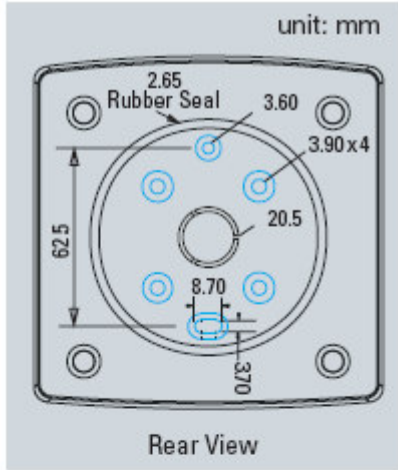
Technical Specification:

Rated power, Watts:	4
Tappings 100 Volt line, Watts:	4/ 2/ 1/ 0.5
Transformer Impedance, Ohms, 100V:	2.5k/ 5k/ 10k/ 20k
Tappings 70.7 Volt line Watts:	1.25/ 2.5/ 5/10
Driver Impedance, Ohms:	8
Effective frequency range, Hz (BS6840):	220-12,000
S.P.L. @ 1m, 1 Watt, dB, Test Signal Bandwidth 100Hz-10kHz:	85
S.P.L. @ Full Power Octave Bandwidth, dB:	90
Acoustic Power (dB-PWL@1 Watt) 1k/2kHz, dB:	88-88
Dispersion at 1k/2kHz, Degrees:	180/120
Directivity Axial Q factor, 1k/2kHz:	3.7/4.8
Dimensions, front & depth, mm	119 x 119 x 62.5
Net weight kgs:	0.69
Colour/Finish:	White RAL9016
Material:	ABS Plastic with UV inhibitors
Mounting:	4 x Screws

PMC4/T & PMC4/TC

Moulded Cabinet Water Resistant Loudspeakers

PMc4/T & PMc4/TC
Moulded Cabinet Water Resistant Loudspeakers



Audix Systems reserves the right to modify or withdraw any product or service without notice

Audix Systems
 Station Road
 Wenden
 Saffron Walden
 Essex CB11 4LG



Tel: +44 (0)1799-540888
 Fax: +44 (0)1799-541618
 e-mail: info@audixsystems.co.uk
 web site: www.audixsystems.co.uk