

- Offices
- Leisure Centres
- Schools
- Theatres
- Stadia
- Museums
- Railway Stations
- Factories
- Airports
- Corporate HQ
- Arenas
- Conference Centres
- Ferries
- Cruise Ships
- Hotels
- Magistrates Courts
- MOD
- Call Centres
- Multi Buildings
- Retail
- County Courts
- Shopping Centres



The RCS range of ceiling loudspeakers has been carefully designed to satisfy the most critical eye. These units are stylish yet unobtrusive and can be supplied with or without firedomes (FT & FTS versions).

Made from a pressed epoxy coated chassis incorporating a twin cone driver, which has a wider frequency range than the standard single cone, this makes the RCS range more suitable for use in applications where background music is a primary requirement.

In compliance with BS5839 part 8, the "FTS" versions incorporate a ceramic terminal and thermal fuse and are, therefore suitable for use in voice alarm applications.

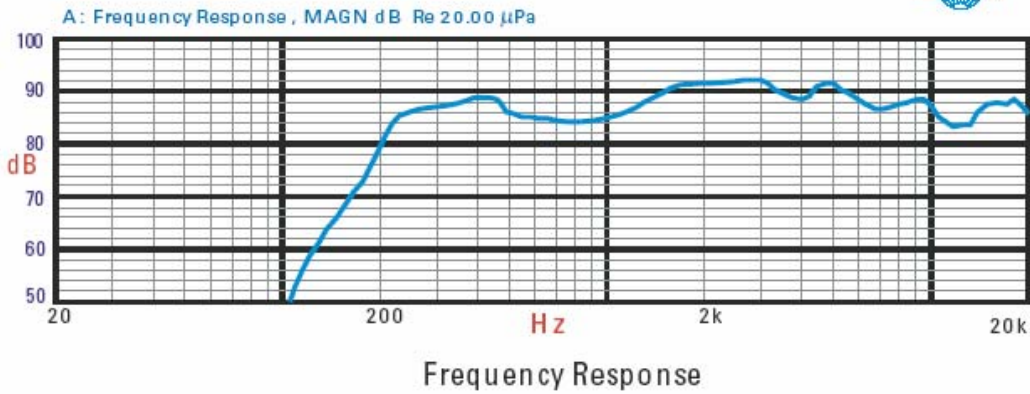
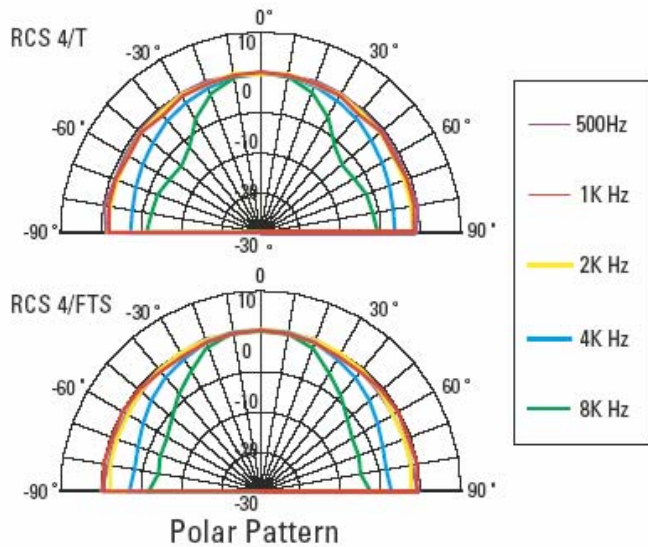
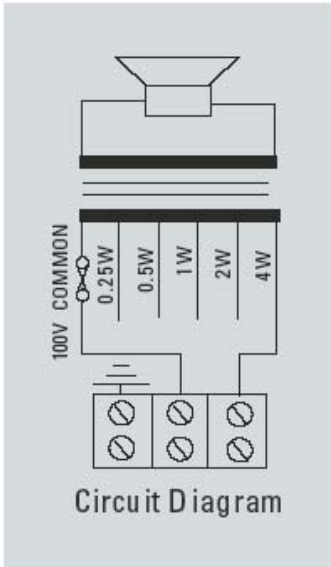
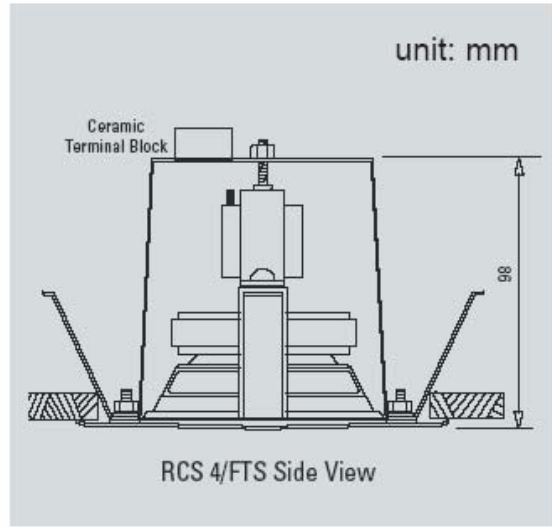
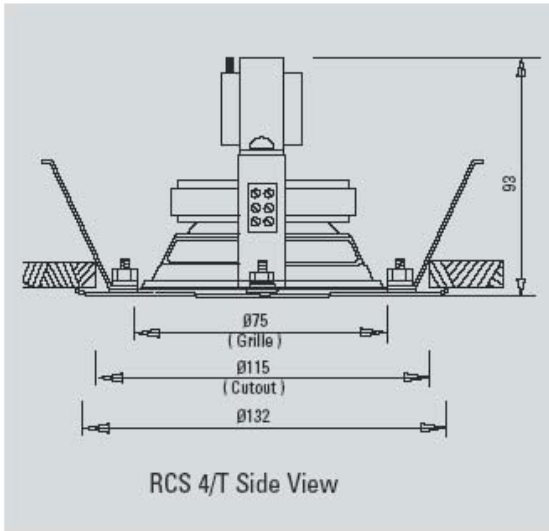
Technical Specification:

Rated power, Watts:	4
Tappings 100 volt line, Watts:	4/ 2/ 1/ 0.5/ 0.25
Transformer Impedance, Ohms, 100V:	2.5k/ 5k/ 10k/ 20k/ 40k
Tappings 70.7 volt line Watts:	2/ 1/ 0.5/ 0.25/ 0.13
Driver Impedance, Ohms:	8
Effective frequency range, Hz:	220—16,500
S.P.L. @ 1m, 1 Watt, dB, Test Signal Bandwidth 100Hz-10 kHz:	83
S.P.O. @ Full Power Octave Bandwidth, dB:	89
Acoustic Power (db-PWL@1 Watt) 1k/2k Hz:	81/84
Dispersion at 1k/2kHz, Degrees:	RCS4/T: 140/180
Dispersion at 1k/2kHz, Degrees:	RCS4FTS: 140/180
Directivity Axial Q factor, 1k/2kHz:	RCS4/T: 1.90/2.20
Directivity Axial Q factor, 1k/2kHz:	RCS4FTS: 1.700/2/20
Dimensions, diameter, mm:	RCS4/T: ø132
Dimensions, diameter, mm:	RCS4FTS: ø132
Net weight, Kgs:	RCS4/T: 0.72
Net weight Kgs:	RCS4FTS: 0.92
Colour/Finish:	White RAL9016
Material:	Steel
Mounting:	Fixing Springs x 4 (stainless steel)
Cut-out, mm:	RCS4T: ø115
Cut-out, mm:	RCS4FTS: ø115

RCS4/T & RCS4/FTS Loudspeakers

RCS4/T & RCS4/FTS

Loudspeakers



Audix systems reserves the right to modify or withdraw any product or service without notice

Audix Systems
Station Road
Wenden
Saffron Walden
Essex CB11 4LG



Tel: +44 (0)1799-540888
Fax: +44 (0)1799-541618
e-mail: info@audixsystems.co.uk
web site: www.audixsystems.co.uk