

- Offices
- Leisure Centres
- Schools
- Theatres
- Stadia
- Museums
- Railway Stations
- Factories
- Airports
- Corporate HQ
- Arenas
- Conference Centres
- Ferries
- Cruise Ships
- Hotels
- Magistrates Courts
- MOD
- Call Centres
- Multi Building Sites
- Retail
- County Courts
- Shopping Centres



The RCS range of ceiling loudspeakers has been carefully designed to satisfy the most critical eye. These units are stylish yet unobtrusive and can be supplied with or without fire domes (T & FTS versions).

Made from a pressed epoxy coated chassis incorporating a twin cone driver, which has a wider frequency range than the standard single cone, this makes the RCS range more suitable for use in applications where background music is a primary requirement.

In compliance with BS5839 part 8, the "FTS" version incorporates a ceramic terminal and thermal fuse and are therefore suitable for use in voice alarm applications.

**Technical Specification:**

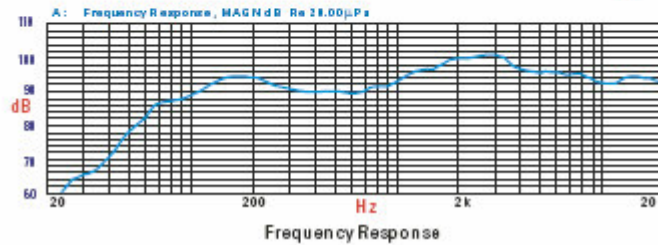
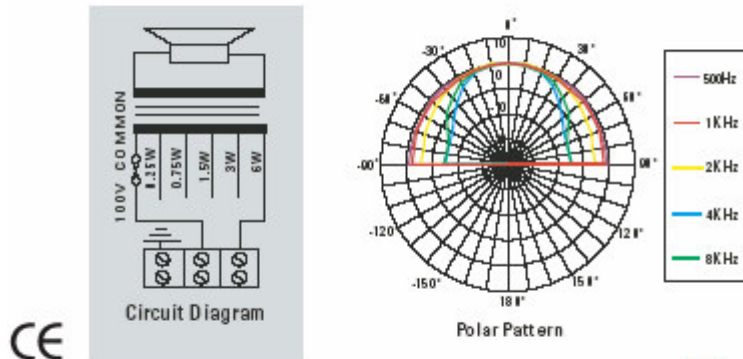
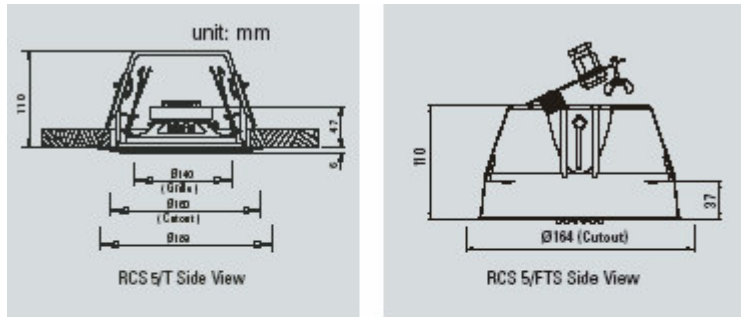
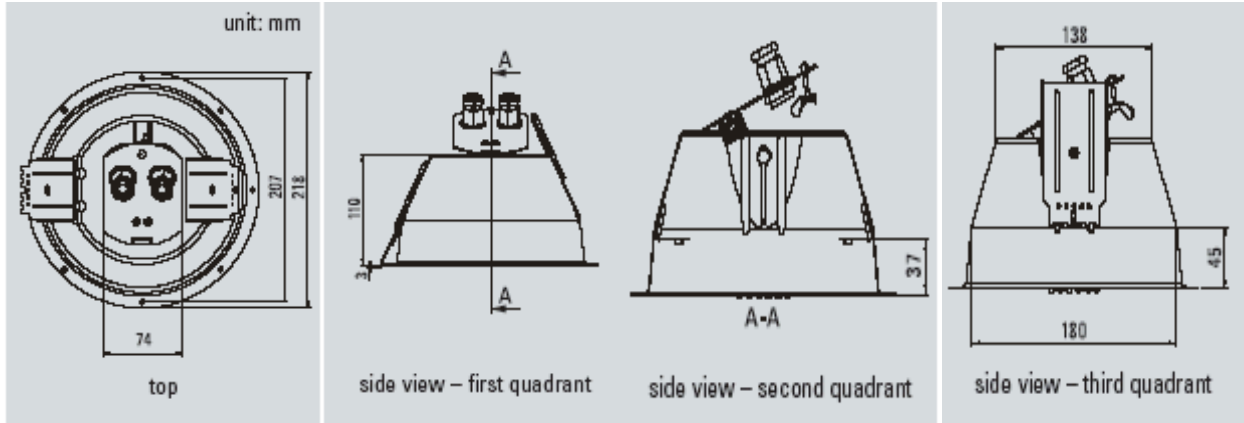
Rated power, Watts:	6
Tappings 100 Volt line, Watts:	6/ 3/ 1.5/ 0.75/ 0.25
Transformer Impedance, Ohms, 100V:	1.67k/ 3.33k/ 6.66k/ 13.3k/ 39.9k
Tappings 70.7 Volt line Watts:	3/ 1.5/ 0.75/ 0.375/ 0.125
Driver Impedance, Ohms:	8
Effective frequency range, Hz (BS6840):	100-17,500
S.P.L. @ 1m, 1 Watt, dB, Test Signal Bandwidth 100Hz-10kHz:	92
S.P.L. @ Full Power Octave Bandwidth, dB:	95
Acoustic Power (dB-PWL@1 Watt) 1k/2kHz:	92/93
Dispersion at 1k/2kHz, Degrees:	RCS5/T: 180/160 RCS5/FTS: 180/120
Directivity Axial Q factor, 1k/2kHz:	RCS5/T: 2.3/4.6 RCS5/FTS: 1.9/6.6
Dimensions, diameter, mm:	RCS5/T: ø189 RCS5/FTS: ø189
Net weight, kgs:	RCS5/T: 1.0 RCS5/FTS: 1.5
Colour/Finish:	White RAL9016
Material:	Steel
Mounting:	Torsion Springs
Cut-out, mm:	RCS5/T: ø160 RCS5/FTS: ø164

**RCS5/T & RCS5/FTS**

**Metal Ceiling Loudspeakers**

**RCS5/T & RCS5/FTS**

**Metal Ceiling Loudspeakers**



Audix Systems reserves the right to modify or withdraw any product or service without notice

Audix Systems  
Station Road  
Wenden  
Saffron Walden  
Essex CB11 4LG



Assessed to ISO 9001: 2000  
Certificate number 010

Tel: +44 (0)1799-540888  
Fax: +44 (0)1799-541618  
e-mail: info@audixsystems.co.uk  
web site: www.audixsystems.co.uk