

- Offices
- Leisure Centres
- Schools
- Theatres
- Stadia
- Museums
- Railway Stations
- Factories
- Airports
- Corporate HQ
- Arenas
- Conference Centres
- Ferries
- Cruise Ships
- Hotels
- Magistrates Courts
- MOD
- Call Centres
- Multi Building Sites
- Retail
- County Courts
- Shopping Centres



The RCS range of co-axial ceiling loudspeakers employ a two-way speaker system comprising a bass mid-range driver and separate tweeter. The bass response has been extended to give depth and warmth to both music and vocals. Both drive units have been carefully tailored to give an exceptionally smooth performance whilst still maintaining a high sensitivity for this type of speaker.

Made from a pressed epoxy coated chassis incorporating a twin cone driver, which has a wider frequency range than the standard single cone, this makes the RCS range more suitable for use in applications where background music is a primary requirement.

In compliance with BS5839 part 8, the "FTS" version incorporates a ceramic terminal and thermal fuse and are therefore suitable for use in voice alarm applications.

Technical Specification:

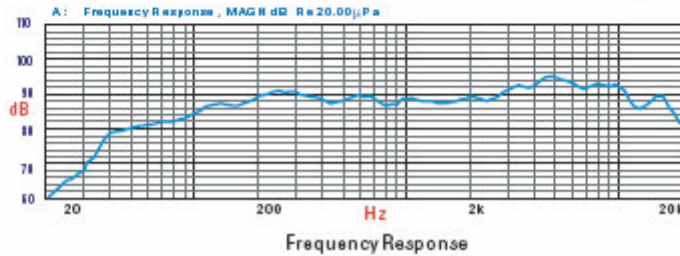
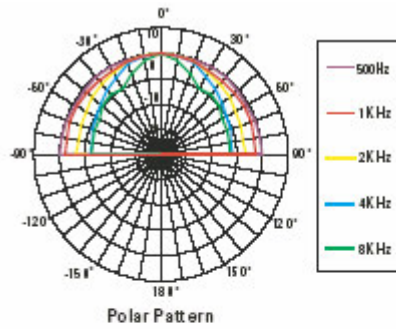
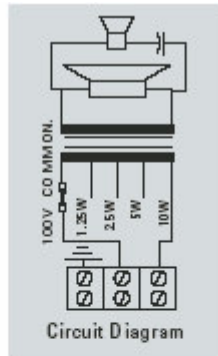
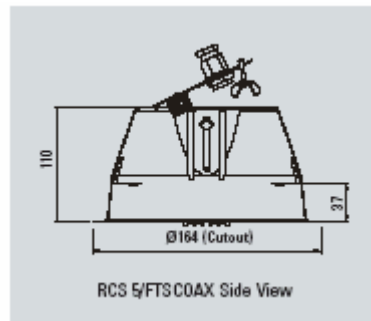
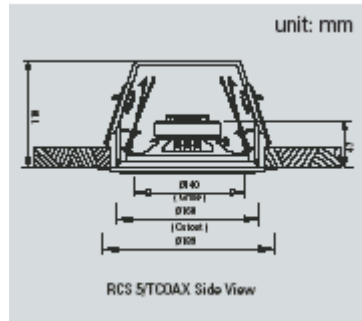
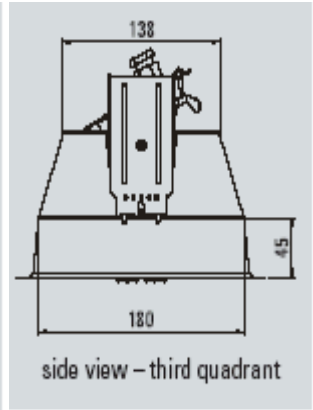
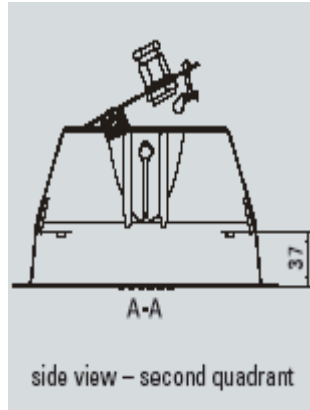
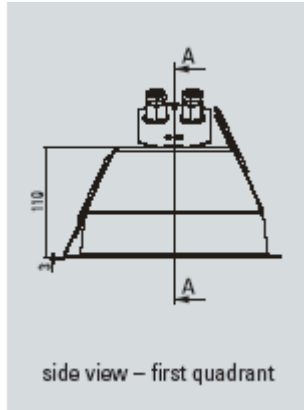
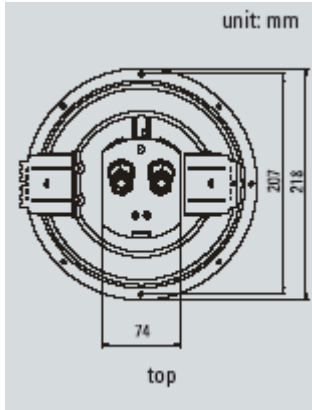
Rated power, Watts:	10
Tappings 100 Volt line, Watts:	10/ 5/ 2.5/ 1.25
Transformer Impedance, Ohms, 100V:	1k/ 2k/ 4k/ 8k
Tappings 70.7 Volt line Watts:	5/ 2.5/ 1.25/ 0.625
Driver Impedance, Ohms:	8
Effective frequency range, Hz (BS6840):	80-20,000
S.P.L. @ 1m, 1 Watt, dB, Test Signal Bandwidth 100Hz-10kHz:	91
S.P.L. @ Full Power Octave Bandwidth, dB:	101
Acoustic Power (db-PWL@1 Watt) 1k/2kHz, dB:	88/86
Dispersion at 1k/2kHz, Degrees:	RCS5/TCOAX: 180/180
	RCS5FTSCOAX: 180/160
Directivity Axial Q factor, 1k/2kHz:	RCS5/TCOAX: 2.1/4.0
	RCS5/FTSCOAX: 2.0/5.3
Dimensions, diameter, mm:	RCS5/TCOAX: ø189
	RCS5FTSCOAX: ø189
Net weight, kgs:	RCS5/TCOAX: 1.00
	RCS5/FTSCOAX: 1.57
Colour/Finish:	White RAL9016
Material:	Steel
Mounting:	Torsion Springs
Cut-out, mm:	RCS5/TCOAX: ø160
Cut-out, mm:	RCS5/FTSCOAX: ø164

RCS5/TCOAX & RCS5/FTSCOAX

Metal Ceiling Loudspeakers

RCS5/TCOAX & RCS5/FTSCOAX

Metal Ceiling Loudspeakers



Audix Systems reserves the right to modify or withdraw any product or service without notice