

- Offices
- Leisure Centres
- Schools
- Theatres
- Stadia
- Museums
- Railway Stations
- Factories
- Airports
- Corporate HQ
- Arenas
- Conference Centres
- Ferries
- Cruise Ships
- Hotels
- Magistrates Courts
- MOD
- Call Centres
- Multi Building Sites
- Retail
- County Courts
- Shopping Centres



The RCS range of ceiling loudspeakers has been carefully designed to satisfy the most critical eye. These units are stylish yet unobtrusive and can be supplied with or without firedomes (FT & FTS versions).

Made from a pressed epoxy coated chassis incorporating a twin cone driver, which has a wider frequency range than the standard single cone, this makes the RCS range more suitable for use in applications where background music is a primary requirement.

In compliance with BS5839 part 8, the "FTS" version incorporates a ceramic terminal and thermal fuse and are therefore suitable for use in voice alarm applications.

Technical Specification:

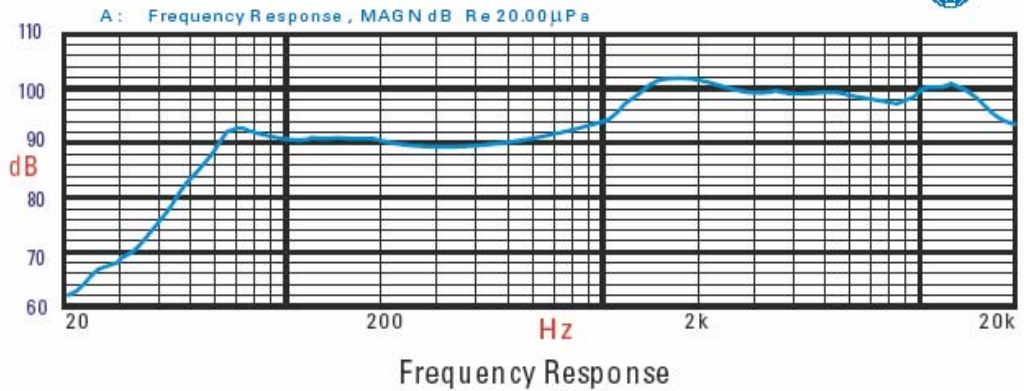
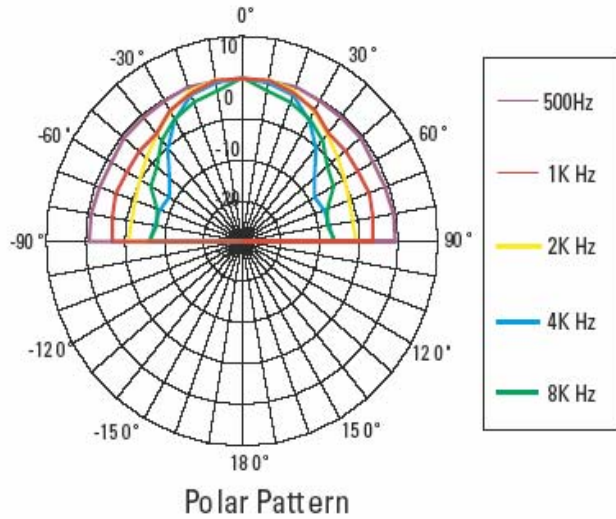
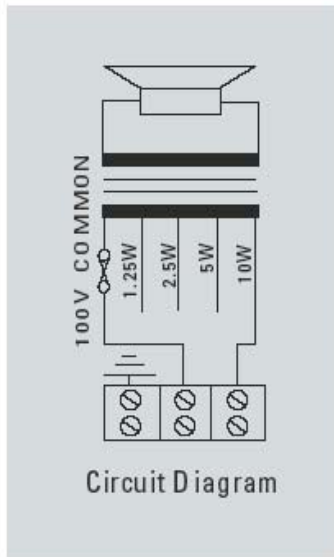
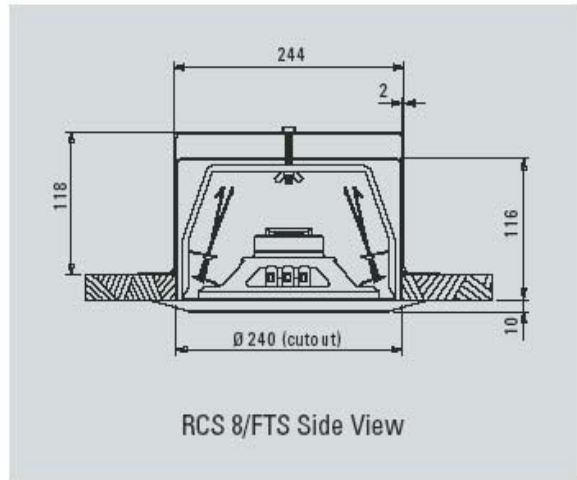
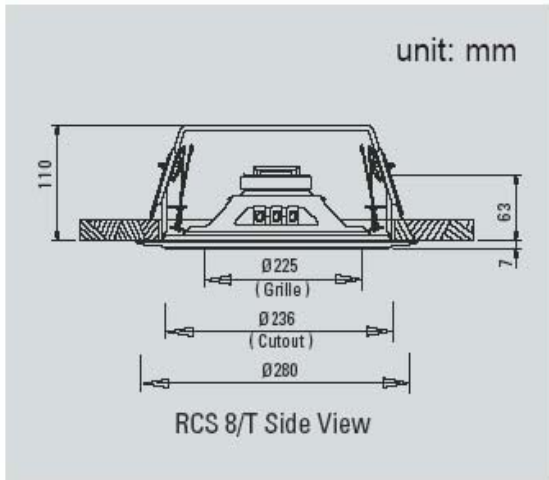
Rated power, Watts:	10
Tappings 100 volt line, Watts:	10/ 5/ 2.5/ 1.25
Transformer Impedance, Ohms, 100V:	1k/ 2k/ 4k/ 8k
Tappings 70.7 volt line Watts:	5/ 2.5/ 1.25/ 0.625
Driver Impedance, Ohms:	8
Effective frequency range, Hz (BS6840):	70-17,000
S.P.L. @ 1m, 1 Watt, dB, Test Signal Bandwidth 100Hz-10kHz:	94
S.P.L. @ Full Power Octave Bandwidth, dB:	104
Acoustic Power (db-PWL@1 Watt) 1k/2kHz, dB:	89/90
Dispersion at 1k/2kHz, Degrees:	RCS8/T: 176/120
Dispersion at 1k/2kHz, Degrees:	RCS8FTS: 176/120
Directivity Axial Q factor, 1k/2kHz:	RCS8/T: 2.7/6.7
Directivity Axial Q factor, 1k/2kHz:	RCS8/FTS: 3.6/7.8
Dimensions, diameter, mm:	RCS8/T: ø280
Dimensions, diameter, mm:	RCS8FTS: ø280
Net weight, Kgs:	RCS8/T: 1.30
Net weight Kgs:	RCS8/FTS: 2.5
Colour/Finish:	White RAL9016
Material:	Steel
Mounting:	Torsion Springs
Cut-out, mm:	RCS8/T: ø236
Cut-out, mm:	RCS8/FTS: ø240

RCS8/T & RCS8/FTS

Metal Ceiling Loudspeakers

RCS8/T & RCS8/FTS

Metal Ceiling Loudspeakers



Audix Systems reserves the right to modify or withdraw any product or service without notice

Audix Systems
Station Road
Wenden
Saffron Walden
Essex CB11 4LG



Tel: +44 (0)1799-540888
Fax: +44 (0)1799-541618
e-mail: info@audixsystems.co.uk
web site: www.audixsystems.co.uk