

- Offices
- Leisure Centres
- Schools
- Theatres
- Stadia
- Museums
- Railway Stations
- Factories
- Airports
- Corporate HQ
- Arenas
- Conference Centres
- Ferries
- Cruise Ships
- Hotels
- Magistrates Courts
- MOD
- Call Centres
- Multi Building Sites
- Retail
- County Courts
- Shopping Centres



The SENTRY range of vandalproof metal cabinet loudspeakers are constructed from epoxy coated high grade steel and can be installed on solid ceilings or walls.

Supplied with dual gland entries which give the installer the option of loop in loop out termination thus avoiding the need for a separate junction box, these cabinets are both robust and aesthetically pleasing.

In compliance with BS5839 the SENTRY6/BDTC incorporate a ceramic terminal and thermal fuse and is, therefore, suitable for use in voice alarm applications.

Alternative finishes are available on request.

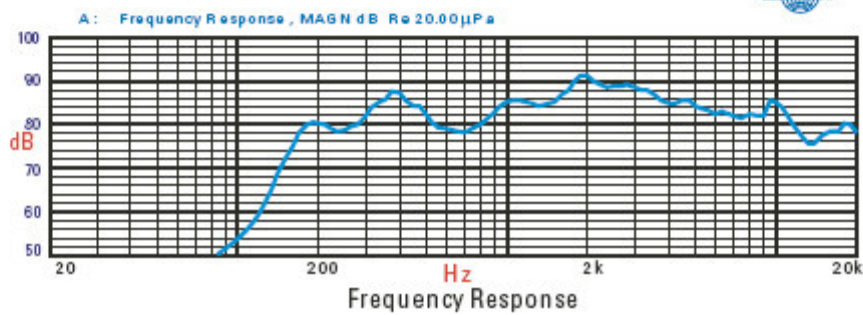
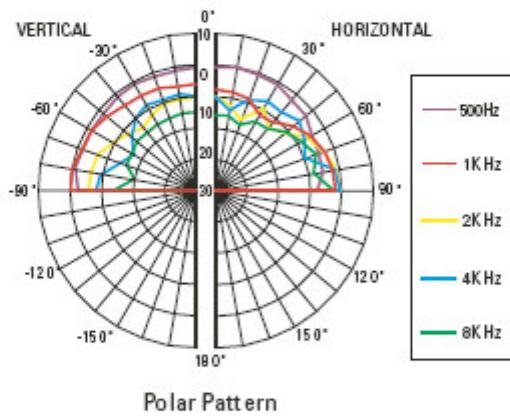
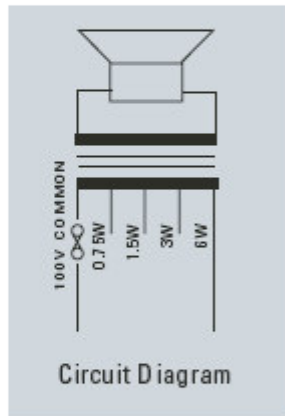
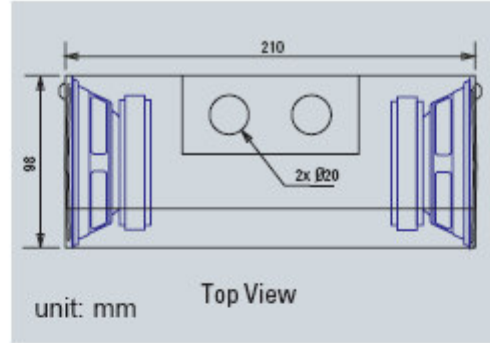
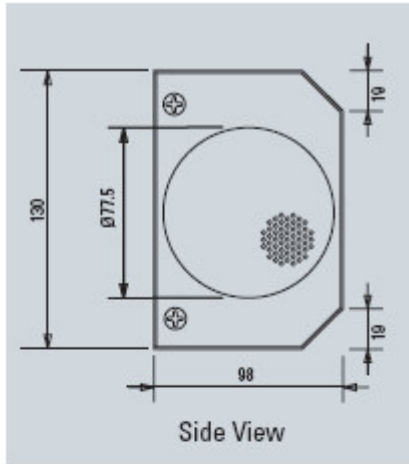
**Technical Specification:**

Rated power, Watts:	6
Tappings 100 volt line, Watts:	6/ 3/ 1.5/ 0.75/ 0.25
Transformer Impedance, Ohms, 100V:	1.67k/ 3.33k/ 6.66k/ 13.3k/ 40k
Tappings 70.7 volt line Watts:	3/ 1.5/ 0.75/ 0.375/ 0.125
Driver Impedance, Ohms:	4 (single driver:8)
Effective frequency range, Hz (BS6840):	125-12,000
S.P.L. @ 1m, 1 Watt, dB, Test Signal Bandwidth 100Hz-10kHz:	88
S.P.L. @ Full Power Octave Bandwidth, dB:	96
Acoustic Power (db-PWL@1 Watt) 1k/2kHz, dB:	90/89
Dispersion at 1k/2kHz, Degrees:	110/120
Directivity Axial Q factor, 1k/2kHz:	0.6/0.7
Dimensions, front & depth, mm	210 x 130 x 98
Net weight kgs:	2
Colour/Finish:	White RAL9016
Material:	Steel
Mounting:	Screw

**SENTRY6/BDTC**

**Vandalproof Bi-Directional  
Metal  
Cabinet Loudspeakers**

**SENTRY6/BDTC**  
**Vandalproof Bi-Directional Metal Cabinet Loudspeakers**



Audix Systems reserves the right to modify or withdraw any product or service without notice