

New from Audix Systems

The Kinetic Wall Mounted Voice Alarm System

Kinetic

- **Single box Voice Alarm solution with option for Background Music**
- **Ideal for shop fit-outs, small offices and factories**
- **Multiple units can be connected to cover larger areas**
- **Wall mounted**
- **Fully compliant**
- **Easily installed**



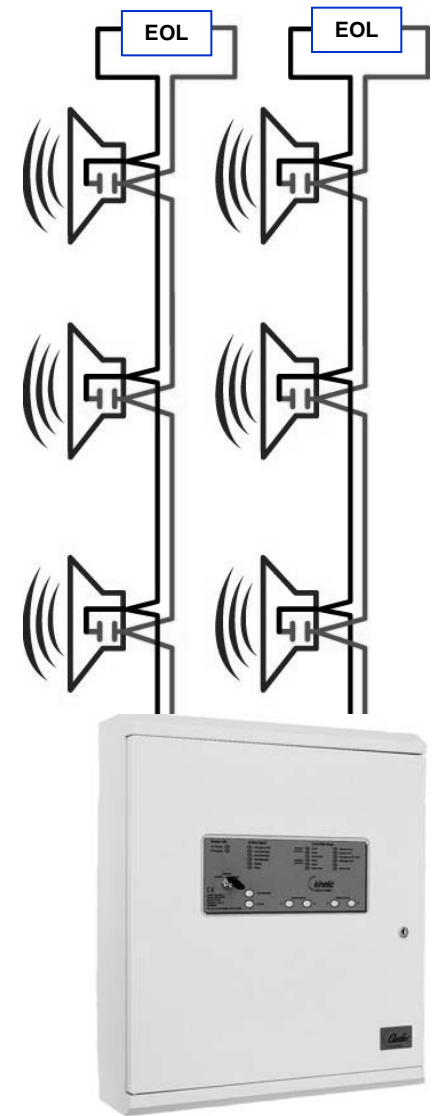
Compliant

- 30W RMS continuous output per circuit
- 2 Monitored speaker circuits
- BS5839 part 8 compliant
- EN60849 compliant
- Battery maintained
- Economical alternative to some voice sounder applications with added features
- Full fault monitoring
- Common fault out



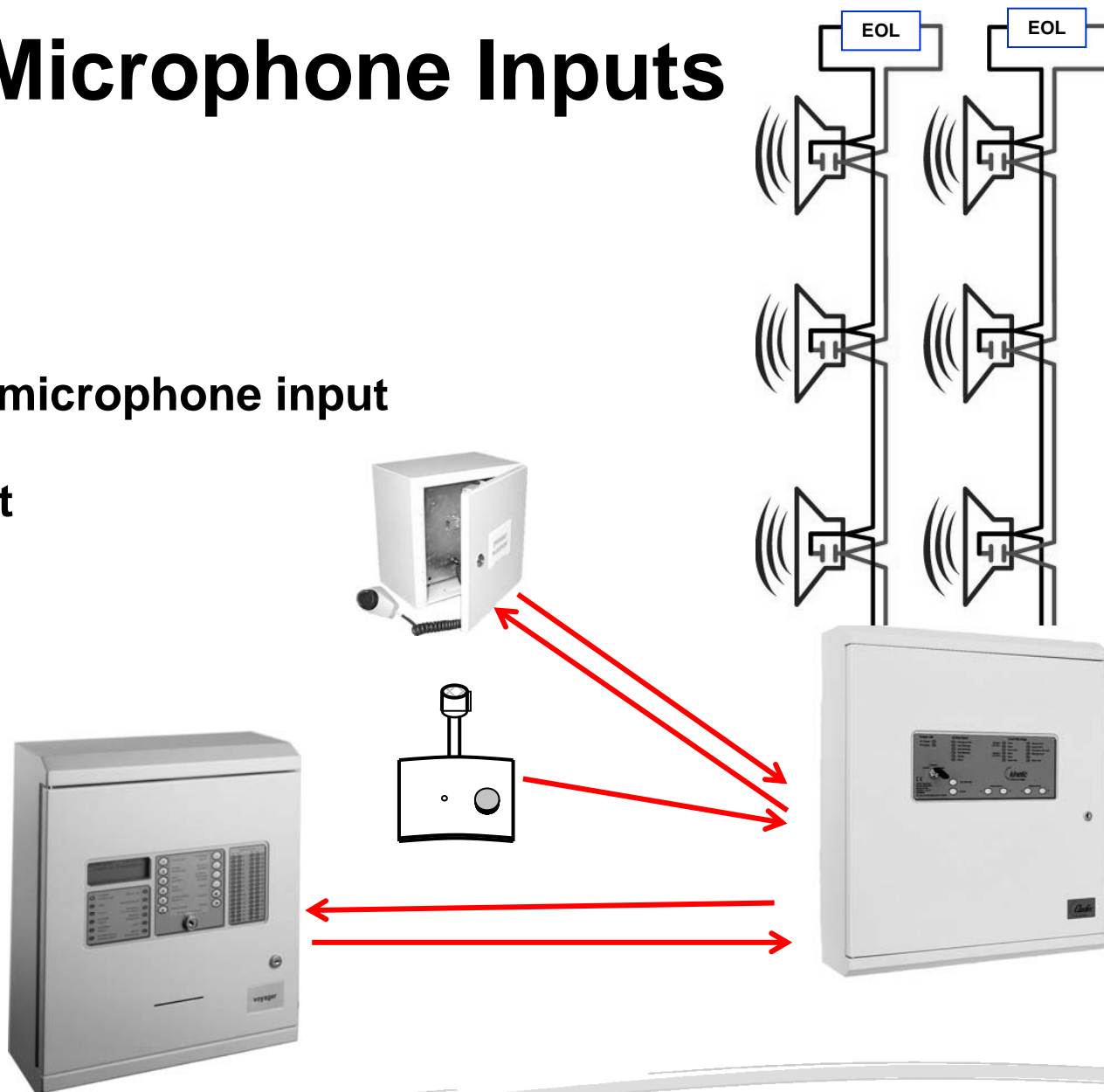
Secure Messages

- **3 messages (65 seconds)**
 - **High clarity messages**
 - **Messages include annunciation tones**
 - **Standard messages included**
 - **Message library on disk**
 - **Extensive Audix message library**
 - **Custom messages available**
 - **Higher priority messages instantly override lower priority messages**
 - **Messages complete cycle on silence/reset**



Microphone Inputs

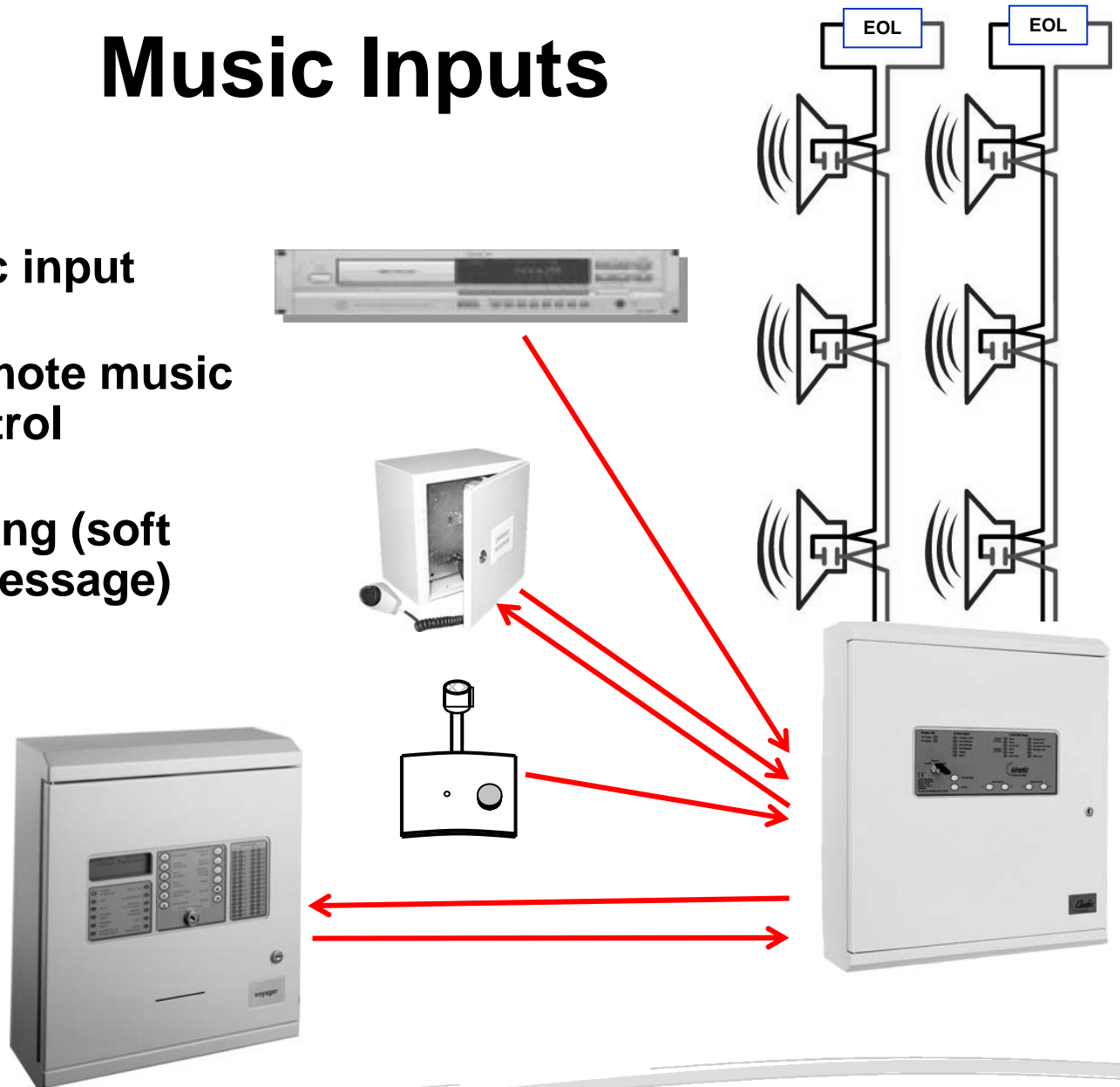
- Emergency microphone input
- Paging input



Kinetic Wall Mount Voice Alarm

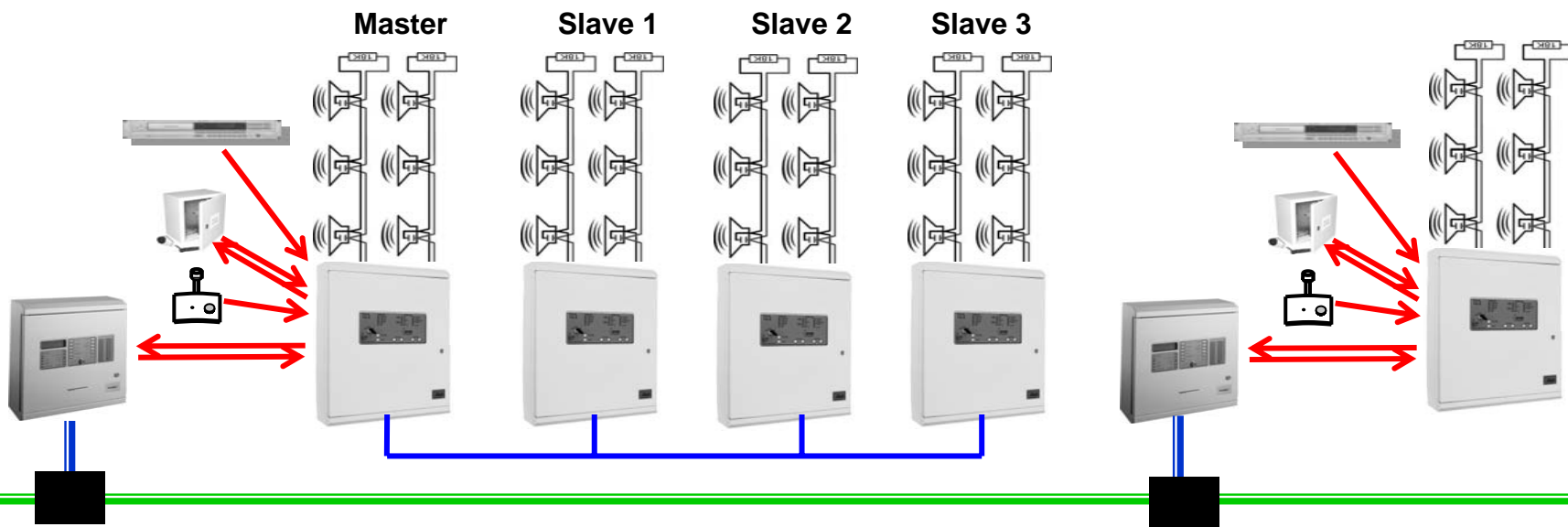
Music Inputs

- Direct music input
- Optional remote music volume control
- Music ramping (soft start after message)



Kinetic Wall Mount Voice Alarm

Kinetic unit with Slave Amplifiers

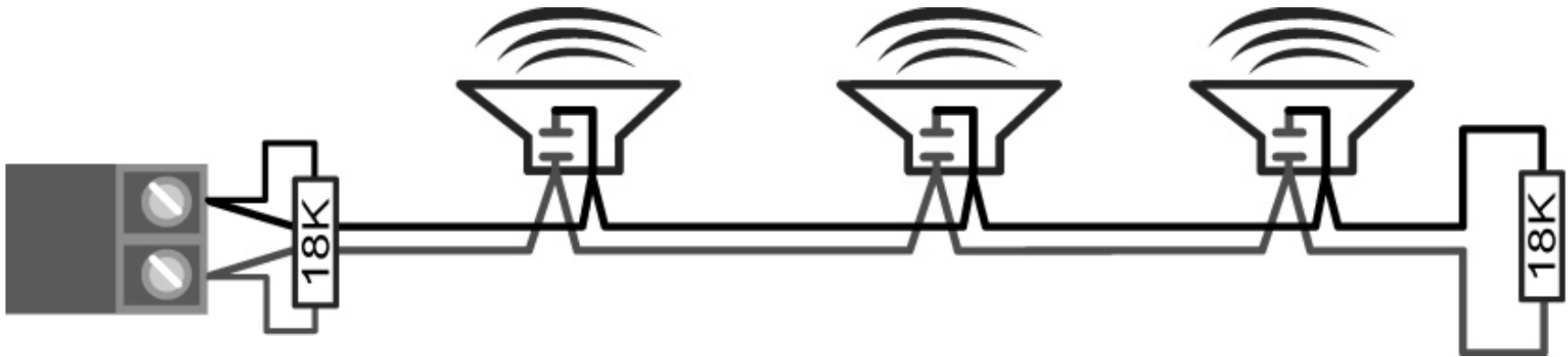


Shop Unit
Interface
connecting to
local Fire
Alarm panel

**Fire Alarm System used to trigger local
messages**

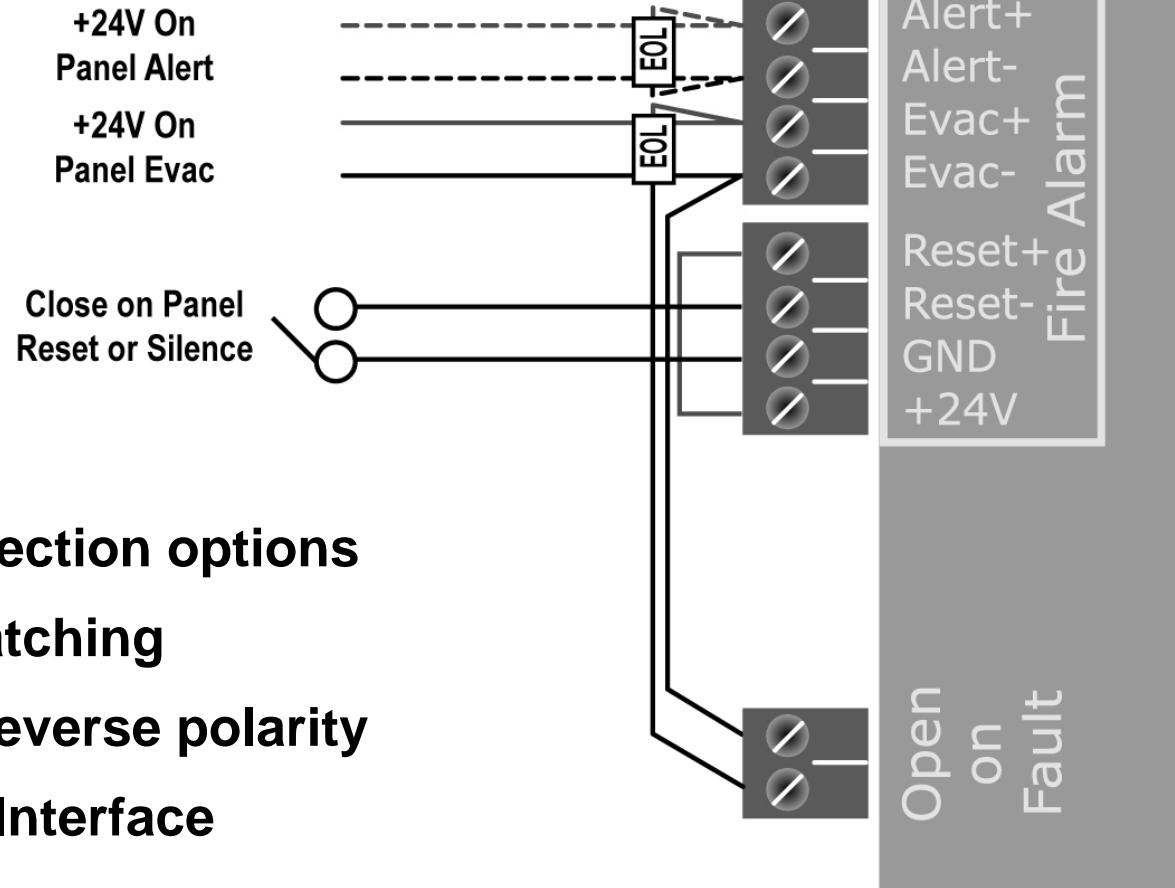
Kinetic Wall Mount Voice Alarm

DC Monitoring



DC Monitoring helps cable fault finding using standard electricians equipment

Fire Interfacing



- **Configurable connection options**
 - **Latching/non-latching**
 - **Clean contact/reverse polarity**
 - **Analogue loop Interface**

User Friendly

- User friendly display
- Comprehensive fault indications
- User paging and music controls
- Secure emergency mic and message controls

